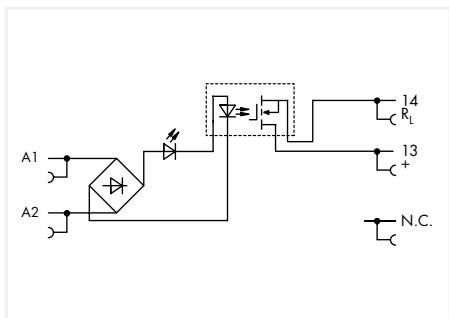
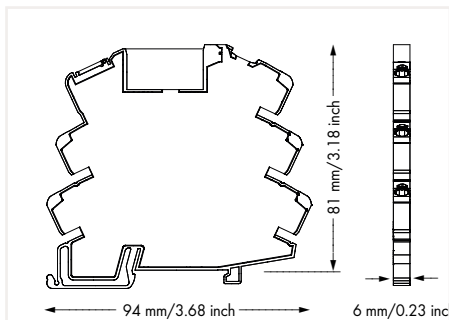


Solid-State Relay Module 857 Series

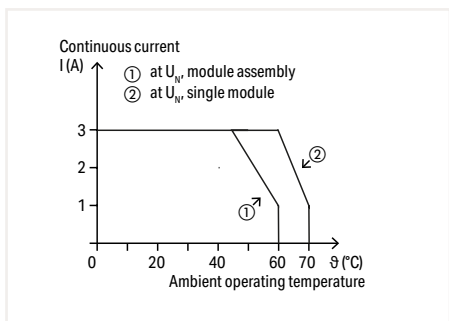


Solid-State Relay Module; Output voltage range: 0 ... 24 VDC; Limiting continuous current: 3 A; 2-wire connection; Status indicator: yellow; 6 mm wide

U_N	I_N	Item No.	Pack. Unit
115 VAC/DC	3.9 mA	857-727	25



Note:
Optocouplers and solid-state relays are designed for use in signal processing networks that are not supplied by the low-voltage power grid.



Current-Carrying Capacity Curve

Control Circuit

Input voltage range (low level)	0 ... 25 VAC/DC
Input voltage range (high level)	90 ... 138 VAC/DC

Load Circuit

Circuit type	2-wire connection
Limiting continuous current	3 A
Output voltage range	0 ... 24 VDC
Voltage drop (output) max.	≤ 0.12 VDC
Switching current (min.)	50 μA
Inrush current (max.)	15 A / 10 ms
Turn-on time	4.5 ms
Turn-off time	10 ms
Switching frequency	≤ 20 Hz

Signaling

Status indicator	Yellow LED
------------------	------------

Safety and Protection

Dielectric strength, control/load circuit (AC, 1 min)	3.75 kV _{rms}
Protection type	IP20

Connection Data

Connection technology	Push-in CAGE CLAMP®
Solid conductor	0.34 ... 2.5 mm ² / 22 ... 14 AWG
Fine-stranded conductor	0.34 ... 2.5 mm ² / 22 ... 14 AWG
Strip Length	9 ... 10 mm / 0.35 ... 0.39 inch

Physical Data

Width	6 mm / 0.236 inch
Height from upper-edge of DIN-rail	81 mm / 3.189 inch
Depth	94 mm / 3.701 inch

Mechanical Data

Mounting type	DIN-35 rail
---------------	-------------

Material Data

Weight	30.1 g
--------	--------

Environmental Requirements

Surrounding air temperature (operation at U_N)	-20 ... +70 °C
Surrounding air temperature (storage)	-40 ... +70 °C
Processing temperature	-25 ... +50 °C

Standards and Specifications

Standards/specifications	EN 61000-6-2; EN 61000-6-3; EN 61373; EN 61010-2-201; UL 508
--------------------------	--

2